

FWM Foam Water Monitors

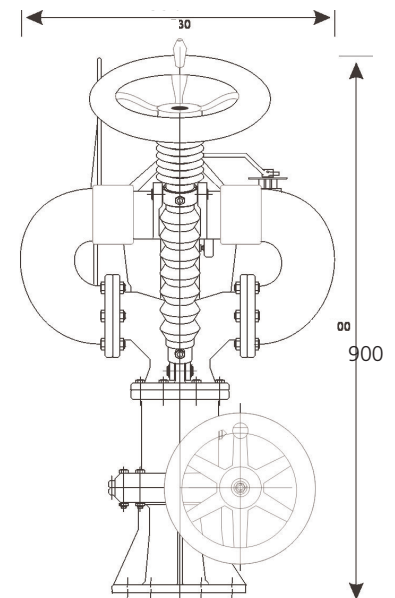
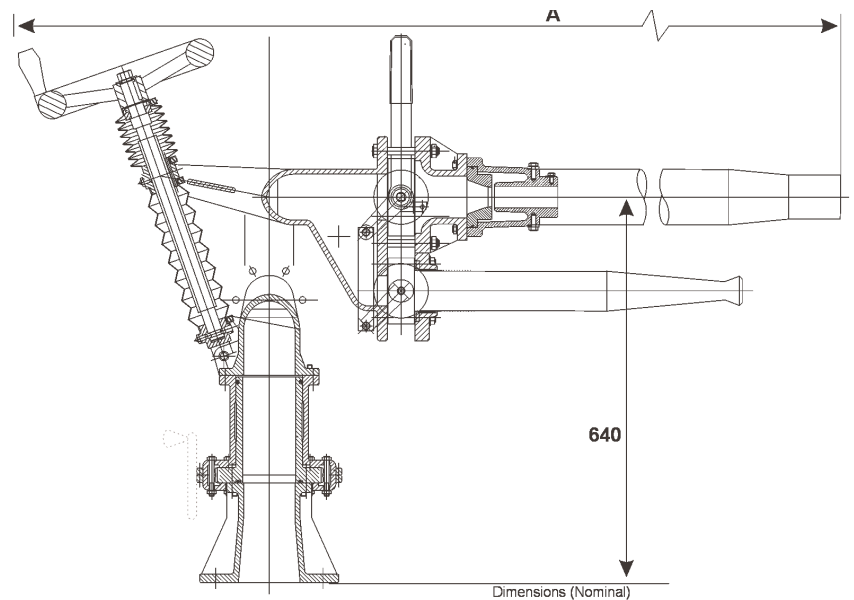
- Exceptional operational reliability
- Long life and maintenance free



The high performance characteristics of Angus FWM Foam Water Monitors make them ideally suited for all applications where a securing low expansion foam blanket or a cooling water jet is desired.

Using balanced reaction forces and smooth effortless geared operation, the monitor allows the extinguishing medium to be accurately targeted wherever and whenever required.

Incorporating an integral quick acting changeover mechanism, rapid alteration between foam and water application can be achieved without interrupting the supply. An optional 'Blabbermouth' attachment is available to produce a variable foam distribution pattern. A self-inducing variable foam concentrate attachment with a 3 metre pick-up tube allows the monitor to be supplied directly with foam concentrate. Alternatively the monitor can be coupled directly to a foam solution supply when the inductor is 'shut-off'.



Model	FWM 1300	FWM 1800	FWM 2700	FWM 3600
A	2160	1600	1600	1600
Nominal Weight (Kg)	91	90	90	111

The versatile Angus FWM Foam Water Monitors can be trailer mounted and will operate with all low expansion Angus foam concentrates. Their robust construction and flexible operation makes them ideally suited for all applications where a high performance fire fighting foam or water stream is required.

FWM Foam Water Monitors

Operating Data

Minimum Operating Pressure	5 bar
Maximum Operating Pressure 10 bar	98
Mounting Flange	4" ANSI 150 RF or 4" BS 10 Table E
Induction Rate	Variable between 3 - 6%
Maximum Elevation	+70° from horizontal
Maximum Depression	-20° from horizontal
Maximum Rotation	360°

Data common to the range of Angus FWM Foam Water Monitors

Performance Data (Typical)

Cannon	K Factor*	Inlet Pressure (bar g)	Nominal Flow (litres/min)	Horizontal Foam Range (metres)	Max. Vertical Foam Height (metres)	Range at max. Height (metres)
				Elevation angle 37°	Elevation angle 70°	
FWM1300	491	5	1095	23-30	15	12
		7	1300	30-40	16	13
		10	1550	36-47	17	14
FWM1800	680	5	1550	30-35	16	12
		7	1800	37-48	18	14
		10	2180	43-57	20	16
FWM2700	1020	5	2340	33-38	16	13
		7	2700	39-52	19	16
		10	3300	47-60	21	18
FWM3600	1360	5	3100	35-40	17	14
		7	3600	42-56	20	17
		10	4350	49-63	23	19

Data obtained in light air conditions (2 m/sec following).

* Flow (litres/min) = K-P where P = inlet pressure in bar.g.

Water Barrel	Inlet Pressure (bar g)		
* K Factor =567	5	7	10
Nominal Flow (litres/minute)	1270	1500	1790
Max. Horizontal Range (metres) at 37° elevation	41	53	61

Material Specification

Foam Barrel	316 Stainless Steel
Water Barrel	316 Stainless Steel
Monitor Body	Cast Spheroidal Graphitic Iron
Fasteners	Stainless Steel
Bellows	Neoprene Coated Nylon
Monitor Body Finish	Black Thermoplastic Powder Coating

INTERNATIONAL SALES

Angus Fire Ltd

Angus House, Haddenham Business Park,
Pegasus Way, Haddenham, Aylesbury, HP17 8LB, UK
Tel: +44 (0)1844 293600 • Fax: +44 (0)1844 293664

UK SALES

Angus Fire Ltd

Station Road, Bentham, Lancaster, LA2 7NA, UK
Tel: +44 (0)1524 264000 • Fax: +44 (0)1524 264180

Angus Fire operates a continuous programme of product development. The right is therefore reserved to modify any specification without prior notice and Angus Fire should be contacted to ensure that the current issues of all technical data sheets are used.

© Angus Fire
4079/8 10.17