

6 Litre Tridol Foam Spray Gas Cartridge

Extinguisher

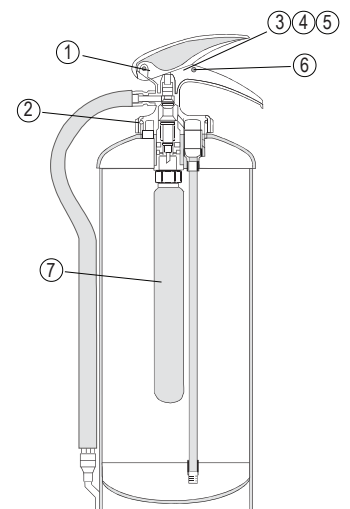
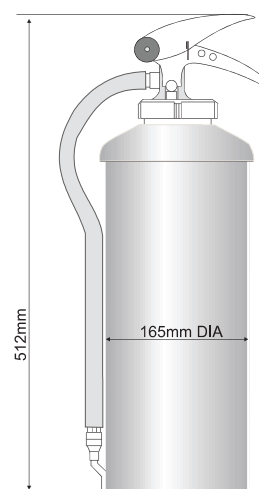


Technical Specification

Extinguisher Code	T6G
Extinguishant	Tridol Foam Spray
Propellant Type	55 gm Gas Cartridge
Capacity	6 Ltr
Paint Primer/Finish	Polyester Powder Paint
Paint Colour	Signal Red (RAL 3000)
Colour Coding to BS7863	Pale Cream (RAL 1014)
Fire Class	A, B Types + Electrical
Fire Rating	13A/144B
Operating Temperature	+5 to +60°C
Test Pressure	23 Bar
Operating Pressure at 20°C	12.5 Bar
Discharge Duration	38 sec
Discharge Range	4 m
Cylinder	Mild Steel 1.6mm to EN 10111-DD12
Operating Valve	Diecast Zinc Alloy to EN 1774-Zn A14 (ZL3)
Cylinder Lining	Polymer
Height	512 mm
Diameter	165 mm
Full Weight	11.45 kg
Empty Weight (excluding cartridge)	5.0 kg
Nominal Carton Size	170 x 170 x 540 mm
Approval	BS EN 3/BAFE

Spare Parts

Item	Description	Part No
1	Headcap assembly c/w hose and pick-up tube	MBRH 1030
2	Headcap 'O' ring seal	MBRH 0230
3	Safety pin	MBRH 0180
4	Safety pin cap	MBRH 0165
5	Break Tie Indicator	XE 18798
6	Service indicator	MBRH 0185
7	75g cartridge	MC75
-	Wall bracket (not shown)	MBRH 0195
-	Transport bracket and strap (not shown)	MBRH 0310
-	Tridol foam charge	XF 0306BO



Licence No. X1M6832



INTERNATIONAL SALES

Angus Fire Ltd

Angus House, Haddenham Business Park,
Pegasus Way, Haddenham, Aylesbury, HP17 8LB, UK
Tel: +44 (0)1844 293600 • Fax: +44 (0)1844 293664

UK SALES

Angus Fire Ltd

Station Road, Bentham, Lancaster, LA2 7NA, UK
Tel: +44 (0)1524 264000 • Fax: +44 (0)1524 264180

Angus Fire operates a continuous programme of product development. The right is therefore reserved to modify any specification without prior notice and Angus Fire should be contacted to ensure that the current issues of all technical data sheets are used.

© Angus Fire
5293/3 02.14