

LDA400

Light Weight Portable Diesel Pump

- Compact design
- Light weight
- Portable
- Corrosion resistant



The Angus LDA400 pump is a light weight portable fire or industrial pump that combines the benefits of high pressure fire fighting performance with an extremely compact design.

The unit is designed to be carried by two people and operated by one.

Electric start (and a simple hand start with decompression facility) plus exhaust ejector priming mean the pump can be put into service quickly and easily in an emergency situation.

Typical flows range from 400* l/min at 5 bar delivery to over 1,300* l/min at 1 bar.

The LDA400 uses the internationally renowned Kohler air-cooled diesel engine for reliability.

Angus fire pumps use robust cast pump casings which allow the use of substantial input pressures from hydrants or relay pumps without damaging the pump; a feature generally not available with lower specification pumps.

Applications

Municipal Fire Brigades

400 l/min* at 5 bar provides a fire service with a single hand line for direct fire fighting.

Flood Relief

In situations where flow rather than pressure is critical the LDA400 will provide up to 1,300 l/min*

Standard Features

- 5 litre fuel tank capacity (1½ hours at maximum speed).

- Fast and simple exhaust eject priming – 3m in under 30 seconds
- Grade 304 stainless steel frame and fabricated components
- Grade 6061 light alloy corrosion resistant pump body and impeller heat treated to T6.
- Glycerine filled compound and output pressure gauge.

Engine

Kohler RY121 direct injection diesel engine 8.9 kW (12 hp) at 3,600 rpm single cylinder, pressure lubricated.

Speed Control

Factory set internal mechanical governor

Cooling

Forced ventilation, ducted path crankshaft driven fan

Electromagnetic Compatibility

Low voltage only – complies with EEC directive 89/336/EEC

Electrical

12V negative earth system with 16 amp engine driven alternator

Angle of Operation

15° from horizontal in any plane

Exhaust

Steel silencer arranged to direct exhaust gas away from the operator's position

Starting

Electric start standard
Hand pull emergency start with manual decompression facility

Ambient Temperature Range

Full power continuous operation -30°C+ (-22°F+) to +38°C (100°F)

Security

Fixed key start – pull stop facility

Emissions

Diesel engines below 19 kW for non-road applications are exempt from EEC emission regulations

CE Marking

The LDA400 portable pump is CE marked for sale and use within the EEC

Sound Level

95 dB at 3 bar outlet pressure++

Frame

Corrosion-resistant 304 grade stainless steel outer frame and fabricated components
4 x Stainless steel fold away carrying handles lockable into position

Pump

Corrosion resistant light alloy body and impeller cast from 6061 grade aluminium heat treated to level T6.
Maintenance free, spring loaded, carbon-faced/ceramic shaft seal.
Drain point.

Pump Pressure Rating

Pump housing designed to withstand 1½ maximum working pressure and to accept input pressures from hydrants or relay pumps.

Pump Clearances

Centrifugal pumps will allow small solids to pass through the impeller and pump without causing damage. All Angus pumps are fitted with an inlet mesh filter which is smaller than the minimum clearance size of the impeller
Inlet filter screen size 9 mm
Impeller clearance 12 mm



ANGUS FIRE

LDA400

Light Weight Portable Diesel Pump

Priming

Manually actuated exhaust ejector system 3m lift (9" Hg) in under 30 seconds

Fuel tank

5 litre (1.1 imperial gallon) industrial plastic tank with top filling cap and inspection point

Inlet

Standard 100mm (4") British Standard Round Thread - male connection

Outlet

50mm (2") ball valve. Standard 2½" BS336 instantaneous female coupling (other options available)

Instrumentation

Inlet - glycerine filled compound gauge, 64mm Ø, scale -1 to +9 bar
Outlet - glycerine filled pressure gauge, 64mm Ø, scale 0 to 25 bar
Engine hours run meter
Oil pressure light
Battery charge light

Options

Marine grade bronze (BS EN 1982 / LG2 gunmetal) pump body and impeller.
Alternative inlet/outlet, Storz, US fire thread, BSP
Detachable wheel set
Inlet/outlet plugs and chains
Suction and discharge hoses, suction strainers and accessories

Angus Fire is assessed by BSI and operates ISO 9001 Quality Management Systems and ISO 14001 Environmental Management Systems.

† Special oil may be required.

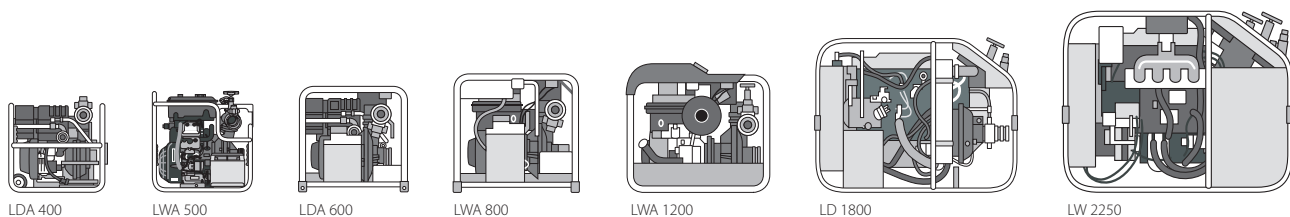
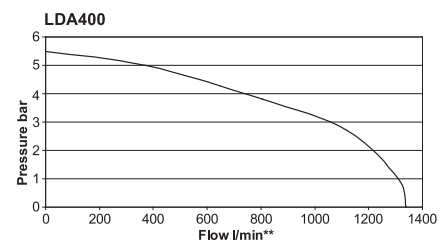
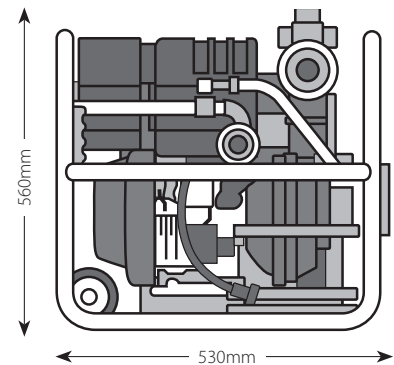
†† Readings taken at position 1m horizontally from the controls and 1.7m vertically to represent the typical position of the operators head.

Dimensions	
Length	530 mm (21")
Width	505 mm (20")
Height	560 mm (22")
Weight	107 kg with battery, fuel and oil (dry weight 88 kg - no battery)

Performance	
Outlet Pressure*	Flow**
2 bar	1,200 l/min
3 bar	1,040 l/min
4 bar	750 l/min
5 bar	400 l/min

* Based on 3m suction lift.

** All flow data is subject to a +/- 5% manufacturing and testing tolerance.



INTERNATIONAL SALES

Angus Fire Ltd

Angus House, Haddenham Business Park,
Pegasus Way, Haddenham, Aylesbury, HP17 8LB, UK
Tel: +44 (0)1844 293600 • Fax: +44 (0)1844 293664

UK SALES

Angus Fire Ltd

Station Road, Bentham, Lancaster, LA2 7NA, UK
Tel: +44 (0)1524 264000 • Fax: +44 (0)1524 264180

Angus Fire operates a continuous programme of product development. The right is therefore reserved to modify any specification without prior notice and Angus Fire should be contacted to ensure that the current issues of all technical data sheets are used.

© Angus Fire
6335/6 02.14