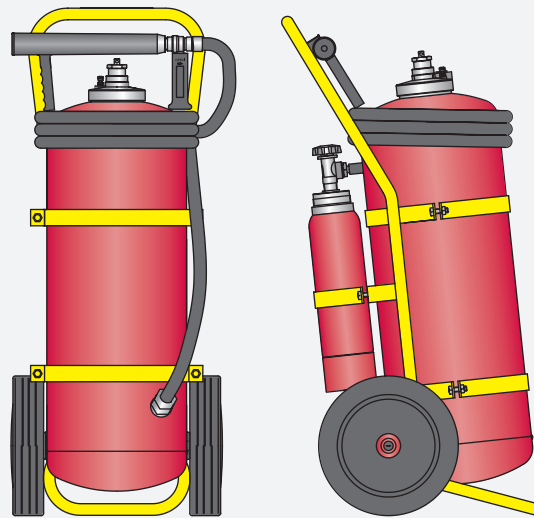


50 Kg Monnex™ Mobile Fire Extinguisher

- Robust
- For professional use in harsh environments



A high quality and robust mobile 50 Kg Monnex™ BC Powder extinguisher for professional use in harsh environments

Extinguishing medium

Monnex™ BC powder manufactured to EN615

Maximum particle size 0.35mm

Powder cylinder

360mm Ø x 3mm wall thickness

80 litre capacity

Steel to EN10111

Welded to EN 288 & 1418

Test pressure (hydraulic) 30 bar

PED approved **CE**

Propellant

Nitrogen N₂

Propellant cylinder

3 litre external

T PED certified

Chrome molybdenum carbon

EN1964-1

Brass Safety valve, handwheel operated

Painting

Epoxy-polyester powder

Resistant to ultraviolet

Cylinders Red to RAL 3000

Frame Yellow to RAL 1003

Discharge hose

5m EPDM rubber flexible hose with

swivel coupling

Fine control discharge pistol

Filling cap

Material: Brass 100mm (4") full opening

Pressure gauge

Safety valve set to 22 ± 2 bar

Vent valve for pressure release

Frame

Welded steel "wrap around" frame







300mm Ø rubber rimmed wheels

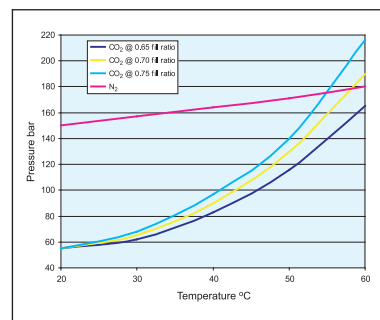
Labelling

English/Arabic or English only

Angus Fire use Nitrogen (N₂), an environmentally neutral gas, as a propellant for their powder and foam mobiles:

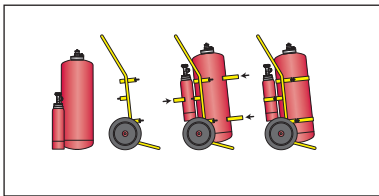
- Nitrogen pressures are lower than Carbon Dioxide at high temperatures.
- Carbon Dioxide (CO₂) cools rapidly when released and can freeze water based foams.
- Nitrogen has an ozone depletion count of zero.

	Inflammable liquids, gasoline, oil etc.
	Inflammable gases, methane, propane.
	Temperature range: -30°C to +60°C Operating pressure: 13 bar @ 20°C nominal
	Jet length: ~ 12m Discharge time: ~ 37 seconds
	Filled weight: 84 Kg Packed volume: 0.31 cum
	Width: 440mm Depth: 550mm Height: 1050mm

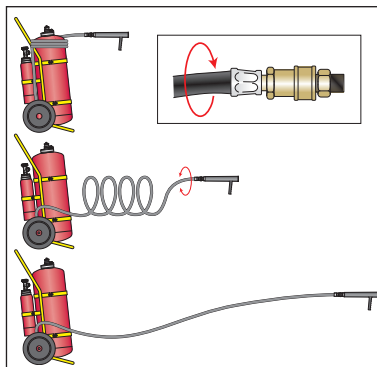


50 Kg Monnex™ Mobile Fire Extinguisher

Corrosion often occurs where the support frame is welded to the cylinder causing it to be unsafe. Angus Fire mobiles use a wrap around frame to support the cylinder. During maintenance the frame can be removed for servicing or repair.



A swivel is fitted as standard on all Angus Fire mobiles between the discharge hose and the nozzle. When the coiled hose is unwound the hose can un-twist leaving the nozzle free to direct the jet.



Options:

- Dust cover
- Extra length discharge hose 7.5m or 10m
- Rigid 2m helicopter lance
- Marine paint finish (minimum quantities)
- CO₂ propellant in place of N₂
- Aluminium foil bursting disc

The full range of Angus mobile extinguishers includes:

- 50 l; 100 l; 150 l AFFF Foam
- 50 kg; 75 kg; 100 kg ABC powder
- 35 kg; 50 kg; 70 kg Monnex™ powder
- 10 kg; 20 kg; 30 kg; 50 kg CO₂

INTERNATIONAL SALES

Angus Fire Ltd
 Angus House, Haddenham Business Park,
 Pegasus Way, Haddenham, Aylesbury, HP17 8LB, UK
 Tel: +44 (0)1844 293600 • Fax: +44 (0)1844 293664

UK SALES

Angus Fire Ltd
 Station Road, Bentham, Lancaster, LA2 7NA, UK
 Tel: +44 (0)1524 264000 • Fax: +44 (0)1524 264180

Angus Fire operates a continuous programme of product development. The right is therefore reserved to modify any specification without prior notice and Angus Fire should be contacted to ensure that the current issues of all technical data sheets are used.

© Angus Fire
 6605/5 03.16