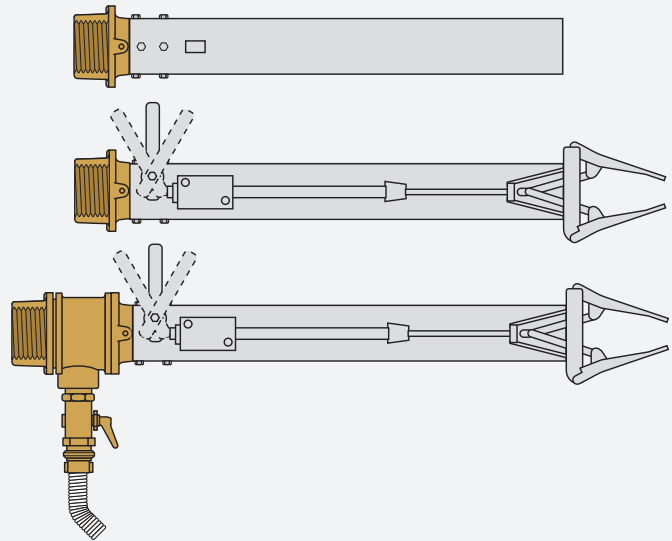


Titan FC/FCS 1000 - 4000

Aspirating Foam Cannons

- For use with fire water monitors
- Nominal flows 1,000 - 4,000 l/min at 7 bar inlet pressure



The Angus FC range of stainless steel aspirating foam cannons are all based on a simple and reliable design developed over 20 years of operating experience.

The unique design of the body forces the foam/water pre-mix through a series of orifices breaking up the flow and providing a large surface area for aspiration. The surface area of the foam pre-mix is controlled to generate an expansion ratio in the range of 3 to 8. Expansion ratios below this level may not be effective on a fire. Expansion ratios above these levels can reduce the range of the cannon.

The design of the orifice plate and the cannon tube are carefully matched to provide the optimum throw while maintaining foam quality.

The barrel and all fixings are manufactured from SS316 grade stainless steel and mounted on to a bronze body.

Inlet connection

3½" BSP F

Operating pressure

Maximum design pressure 16 bar

Materials

Cannon barrel: Stainless Steel SS316
Bronze hub to EN CC491K, equivalent to LG2, Red Brass, ASTM B62 and UNI 7013-8

Copper	Zinc	Lead	Tin
85%	5%	5%	5%

Gaskets: Viton

Fixings: Stainless Steel SS316

Optional Paint Finish

Surface preparation	Solvent cleaning
Primer coat	Epoxy 30µm
Intermediate coat	Epoxy grey 40µm
Finish coat	Polyurethane 40µm Red RAL3000
Total dry film thickness	110µm

Throw of foam jet

Maximum throw of a FluoroProtein foam at 15°C in still air at an angle of elevation of 32° from the ground.

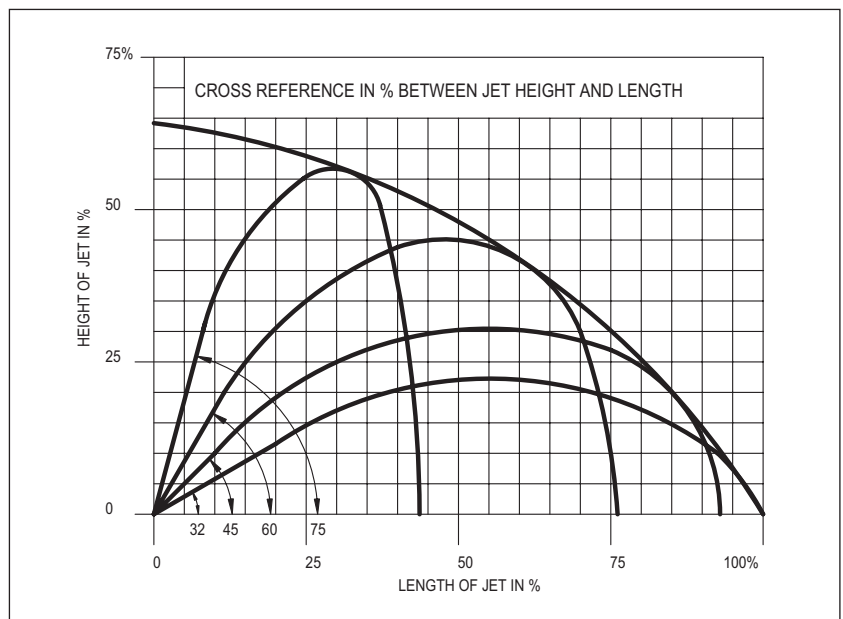
Inlet pressure

	6 bar	12 bar
FC/FCS 1000	30m	51m
FC/FCS 2000	39m	60m
FC/FCS 3000	49m	70m
FC/FCS 4000	57m	77m

Note: The jet throw depends on a number of variables such as wind direction, type and concentration of foam in the water and the condition of the monitor water ways and nozzle.

For throw and height calculations at different inlet pressure, angles and flows for specific monitor and nozzle combinations refer to the Angus interactive electronic data sheet.

The approximate relationship between the height and throw of the water jet for various angles of incidence is shown below.



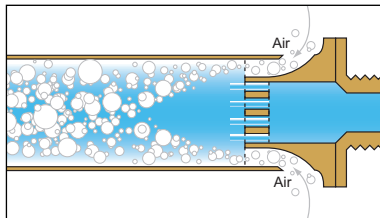


Titan FC/FCS 1000 - 4000

Aspirating Foam Cannons

The FC range is designed to handle flows from 800 to 15,000 l/min (at a nominal inlet pressure of 7 bar) and can be operated at pressures up to 12 bar when necessary.

FC and FCS cannons are available with manual or hydraulic operated foam spreaders and a self inducing orifice to mix foam into the water stream at either 0%, 1%, 3% or 6%.



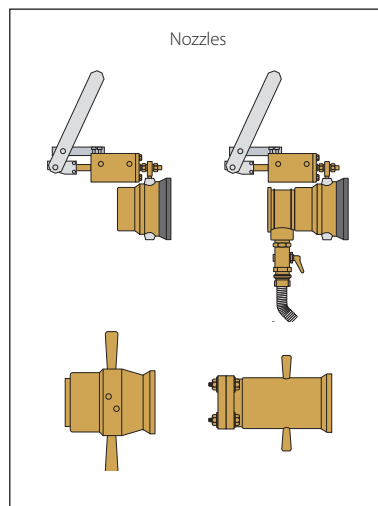
Multiple orifices break up the foam stream to increase the surface area and ensure the correct amount of air is mixed into the stream.

Foam spreaders

Foam spreaders manufactured from SS316 stainless steel and corrosion resistant materials are available.

Foam pick up tube (where supplied)

Wire reinforced flexible PVC tube - 1.8m nominal length with chamfered, rigid pipe tip to aid foam pick up. Nominal diameter: 25mm (1") or 35mm 1.5"



Fog/Jet Nozzles

Angus fog/jet nozzles cover the range 200 to 20,000 l/min with self inducing options up to 4,000 l/min.

Most models are available with hydraulic or electric remote control options suitable for use in explosive rated areas.

Specialist nozzles for dry powder are also available – refer to Angus.

Monitor Range

The Angus monitor range includes bronze monitors up to 8,500 l/min and stainless steel models up to 50,000 l/min, all with automatic oscillation and hydraulic or electric remoter control options and suitable for use in explosive atmospheres.

Angus Foam

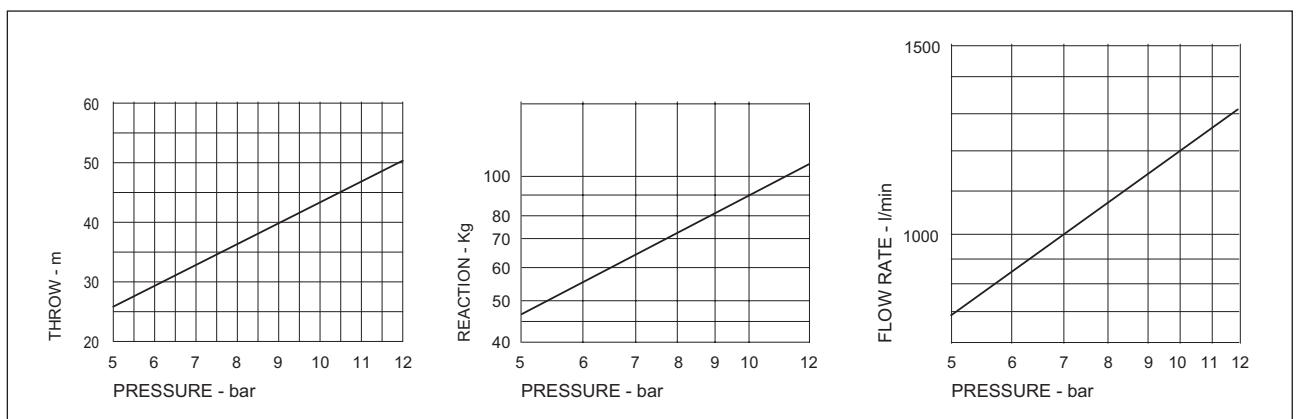
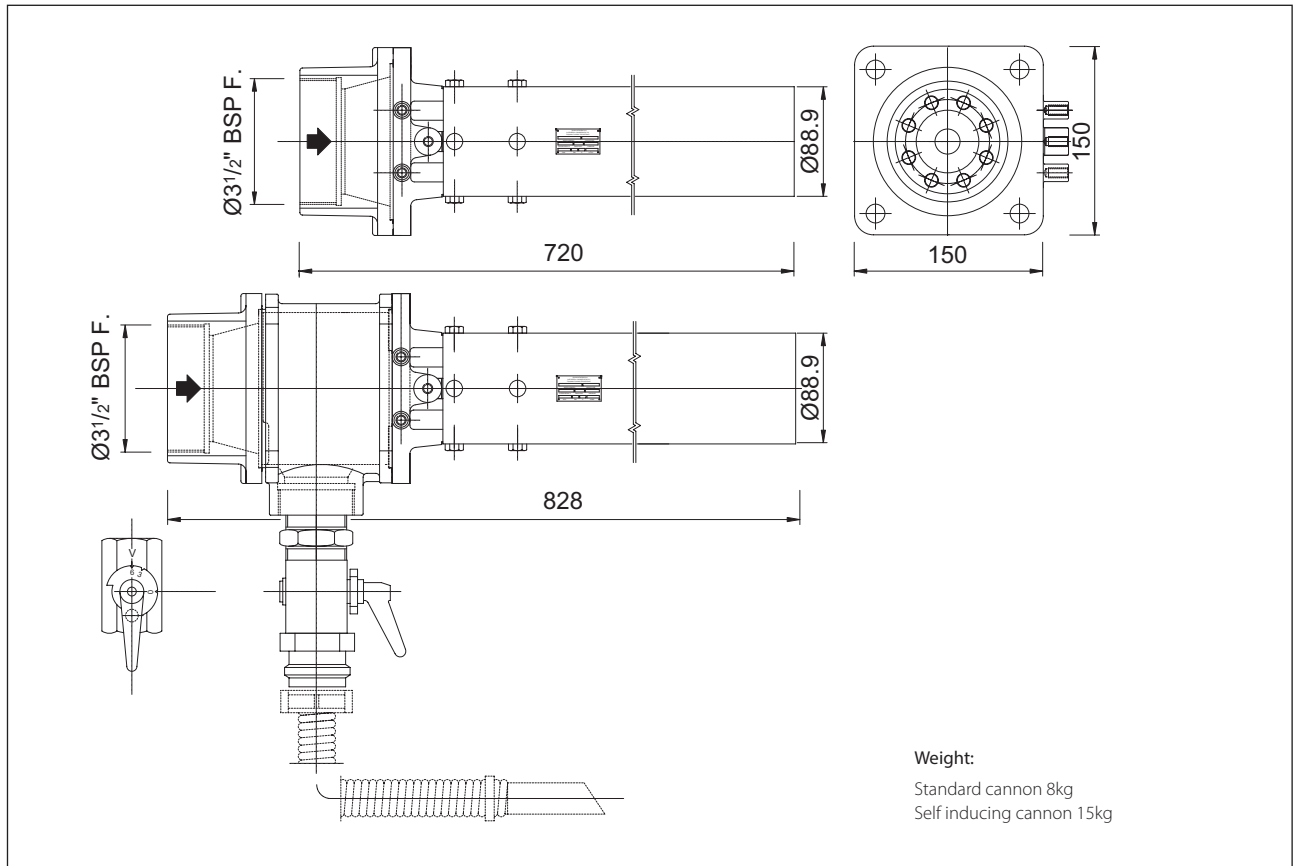
Angus Fire are the world's leading manufacturer of firefighting foams and market a wide range of protein based and synthetic foams tailored for general use or specific risks. The data shown above is based on the use of a FluoroProtein foam such as **FP70**. For applications requiring synthetic or alternative foams contact Angus Fire.

Angus is a company assessed to ISO 9001.

Titan FC/FCS 1000 - 4000

Aspirating Foam Cannons

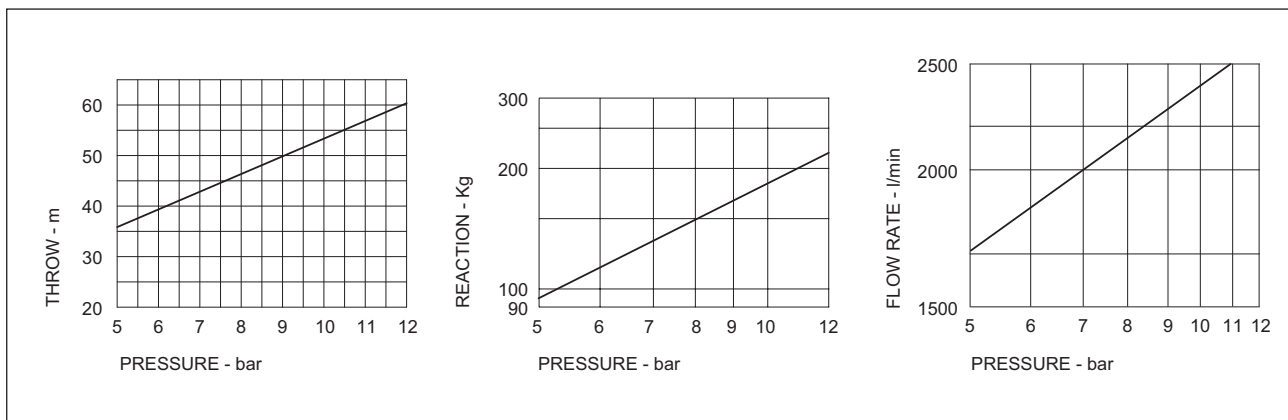
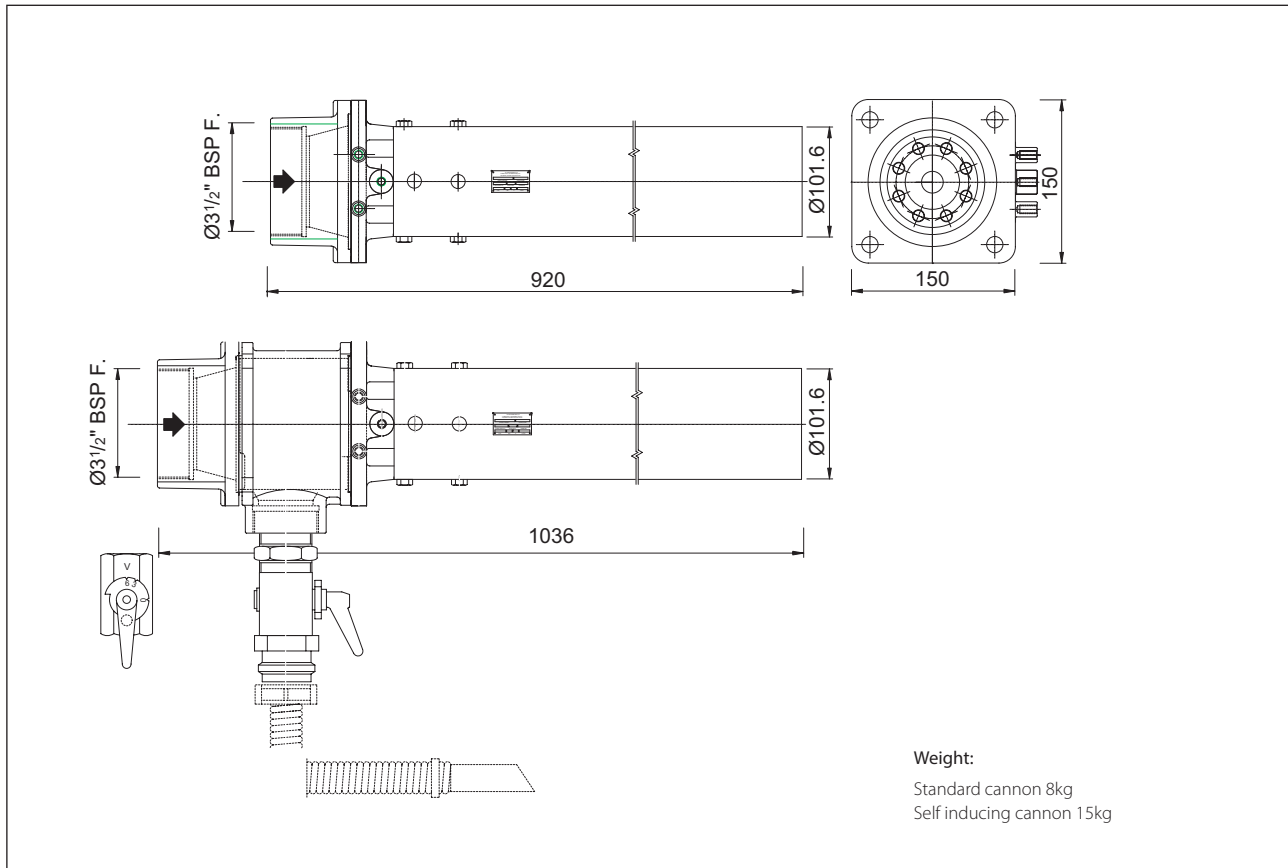
Titan FC/FCS 1000 Dimensions and Performance Data



Titan FC/FCS 1000 - 4000

Aspirating Foam Cannons

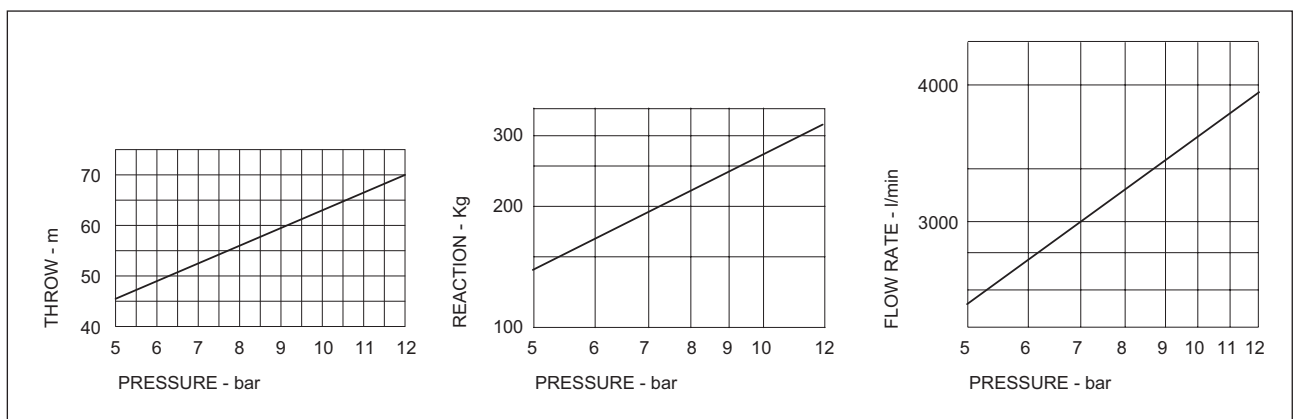
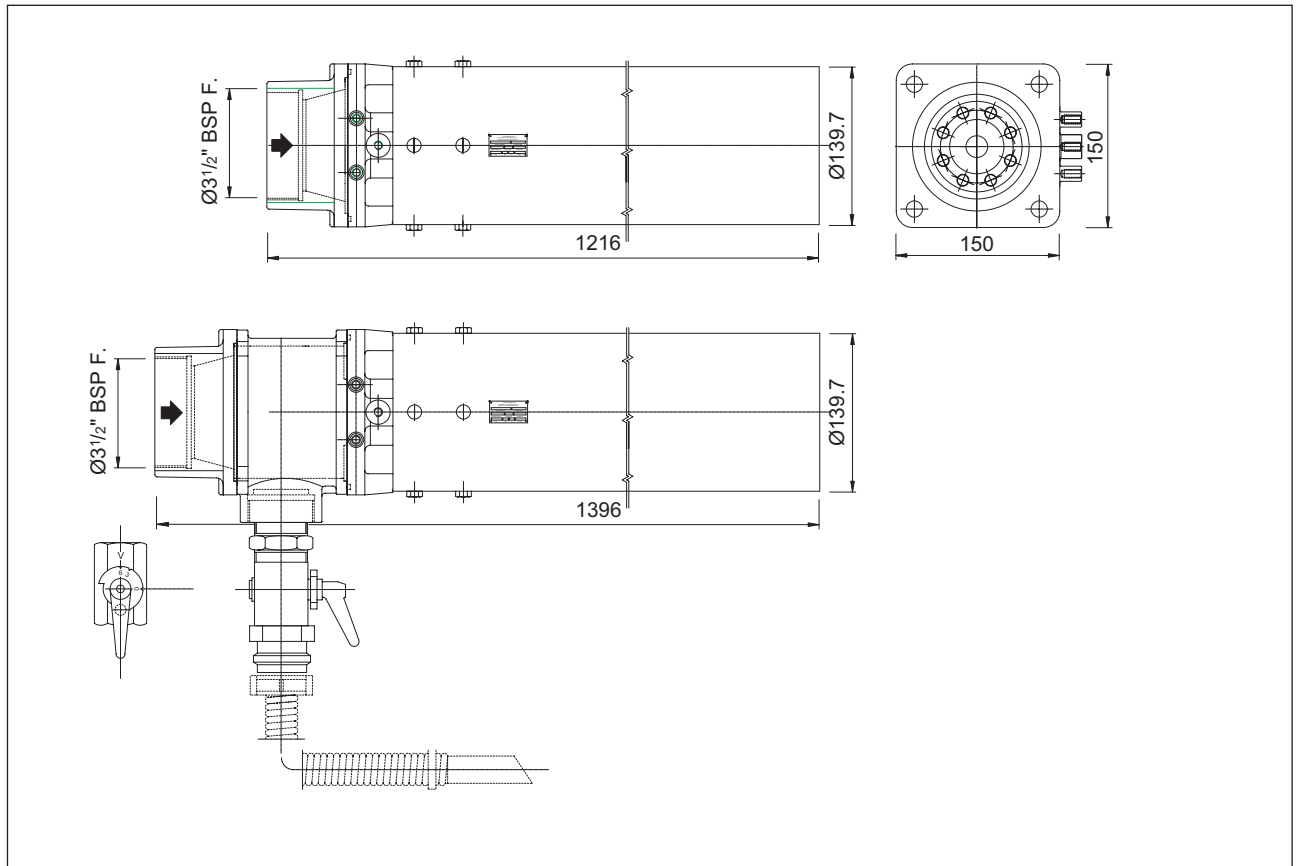
Titan FC/FCS 2000 Dimensions and Performance Data



Titan FC/FCS 1000 - 4000

Aspirating Foam Cannons

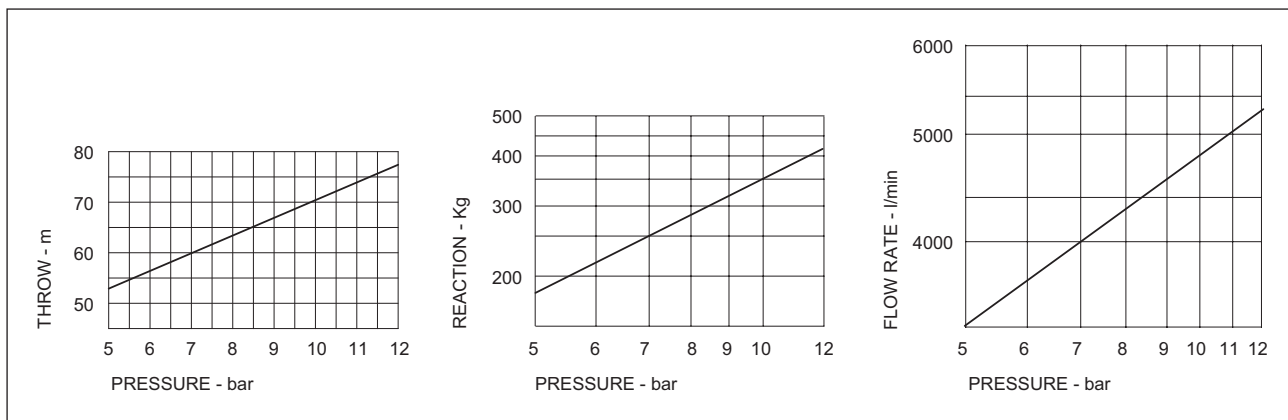
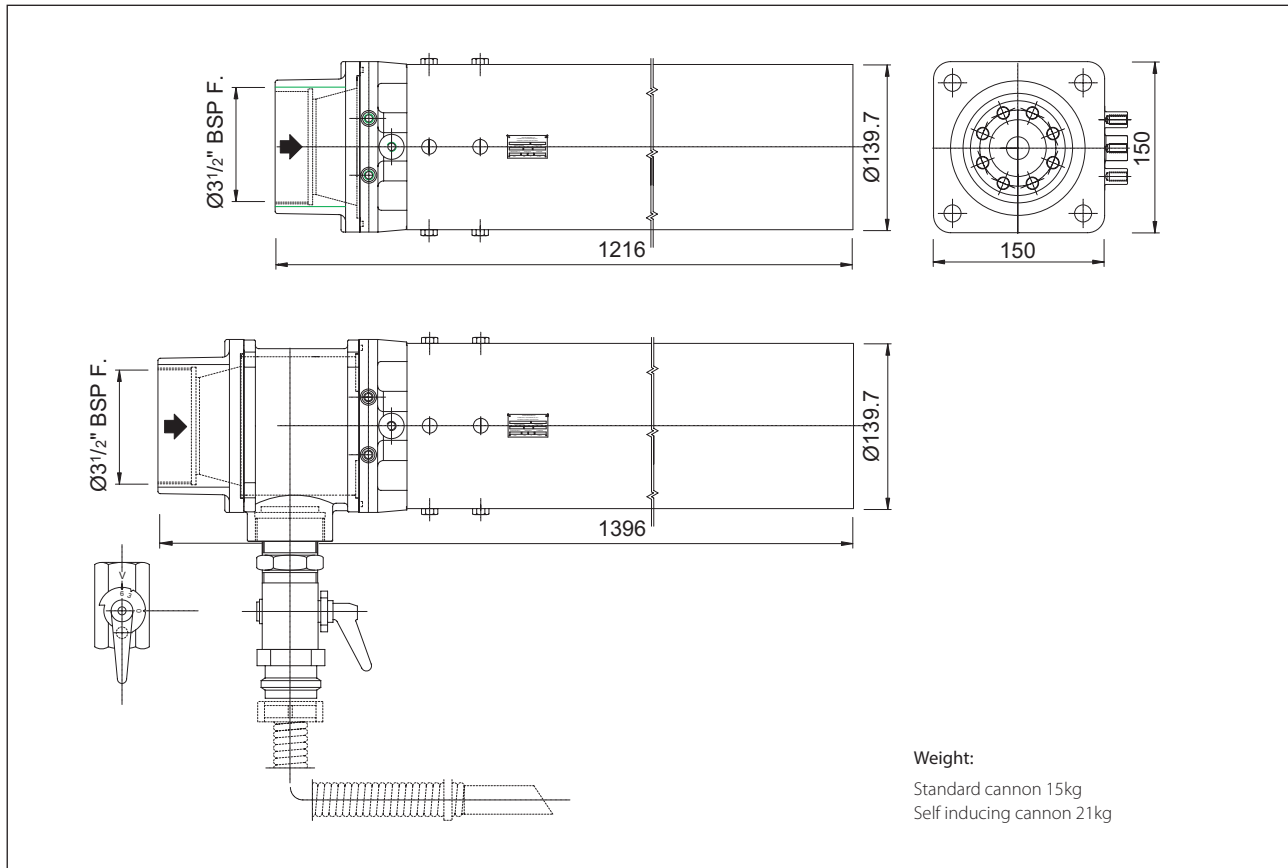
Titan FC/FCS 3000 Dimensions and Performance Data



Titan FC/FCS 1000 - 4000

Aspirating Foam Cannons

Titan FC/FCS 4000 Dimensions and Performance Data



SALES & MARKETING

Angus Fire Ltd
 Angus House, Haddenham Business Park,
 Pegasus Way, Haddenham, Aylesbury, HP17 8LB, UK
 Tel: +44 (0)1844 293600 • Fax: +44 (0)1844 293664

MANUFACTURING PLANT

Angus Fire Ltd
 Station Road, Bentham, Lancaster, LA2 7NA, UK
 Tel: +44 (0)1524 264000 • Fax: +44 (0)1524 264180

Angus Fire operates a continuous programme of product development. The right is therefore reserved to modify any specification without prior notice and Angus Fire should be contacted to ensure that the current issues of all technical data sheets are used.