

823 BC Nozzle

**Angus Hi-Combat Style 823 BC
Monitor Nozzle**
P/No. M258055

- Water jet or spray/fog pattern
- Selectable flow 1140-1900 -2660 lpm @ 7bar
- Ideal for Industrial, offshore and other Marine applications
- Suitable for use with fresh or sea water



The Angus Hi-Combat range of Monitor Nozzles have been designed for a wide range of applications that require a water jet or spray pattern. Whether for extinguishing fires, cooling tanks or other structures, these monitor nozzles will provide reliable and effective protection.

The 823 BC nozzle will provide a non aspirated foam spray when used with film forming foams such as Angus Petroseal (FFFP) Tridol (AFFF & AR-AFFF) or Alcoseal (AR-FFFP). The foam supply must be premixed remotely from the monitor.

This nozzle is intended for use with the Angus range of monitors, including the MM1 manual lever operated, OM80 automatic oscillating, HM80 hand monitor and the GMB48 monitor.

Features include:

- All brass construction for maximum corrosion resistance when used with sea water
- Flow settings of 1140 -1900- 2660 lpm selected using simple press and rotate baffle (shut down nozzle to change flow setting)
- In built stream shaper for maximum reach in straight stream mode
- Fitted with turn control bar to change Pattern from straight stream to spray or fog in a single movement

Nozzle Inlet:

Inlet 2½" BSP Female swivel
(Optional NH/NST)

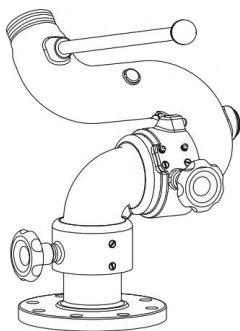
Nozzle Weight:

5.8Kg

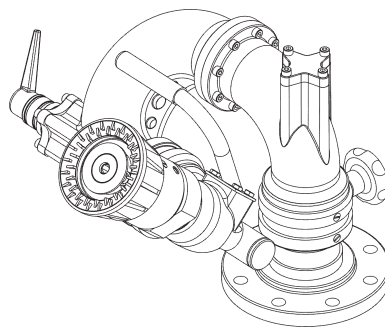
Nozzle Length:

170mm

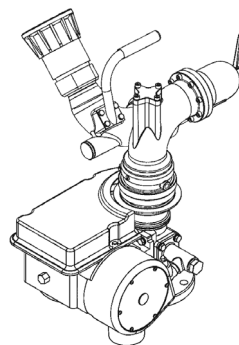
823 BC nozzle can be used with the following monitors:



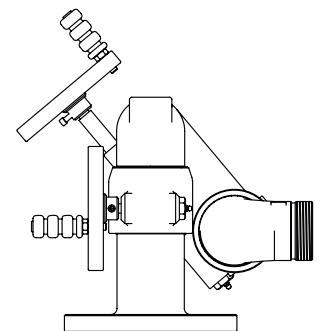
MM1



HM80



OM80



GMB48

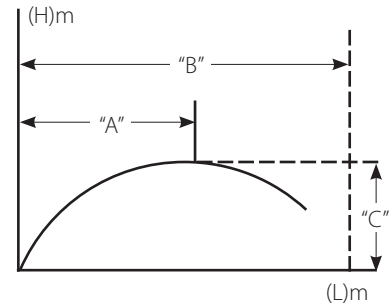
823 BC Nozzle

Angus Hi-Combat Style 823 BC Monitor Nozzle

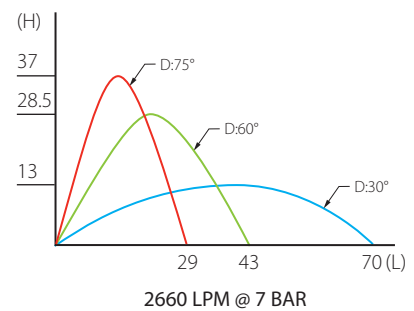
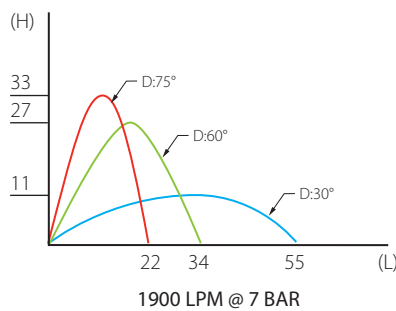
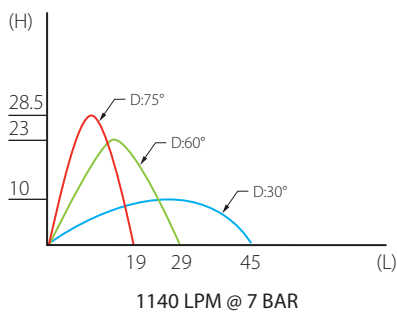
Pressure vs Throw - Water

| Flow (lpm) | Pattern | Pressure (bar) | Horizontal Reach "A" (m) | Overall "B" (m) | Vertical "C" (m) |
|---------------------|-----------------|----------------|--------------------------|-----------------|------------------|
| 1140 (300 USGPM) | Straight Stream | 7 | 28 | 45 | 10 |
| | Narrow Fog 30° | | 18 | 27 | |
| | Wide Fog 60° | | 11 | 18 | |
| 1900 (500 USGPM) | Straight Stream | 7 | 34 | 55 | 11 |
| | Narrow Fog 30° | | 20 | 31 | |
| | Wide Fog 60° | | 12 | 20 | |
| 2660 (700 USGPM) | Straight Stream | 7 | 44 | 70 | 13 |
| | Narrow Fog 30° | | 26 | 39 | |
| | Wide Fog 60° | | 18 | 29 | |

Stream Reach



Discharge Height vs Discharge Reach Graphs (m) - Water



NB: All performance data provided is theoretical only