

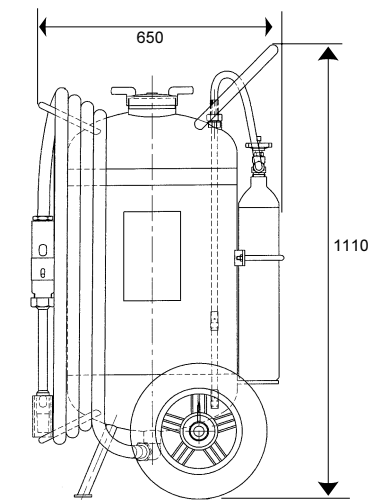
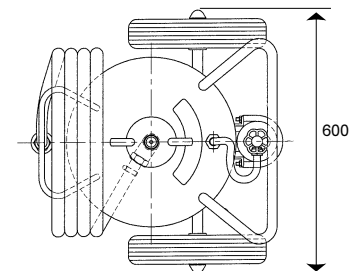
63 Kg Monnex Powder

Mobile Fire Extinguisher



Technical Specification

| | |
|----------------------------|--|
| Extinguisher Code | MX63K |
| Extinguishant | Monnex Powder Potassium Bicarbonate/Urea Complex |
| Propellant Type | Carbon Dioxide Gas Bottle With Screwdown Valve |
| Gas Bottle Size | 2 Kg |
| Nominal Charge | 63 Kg |
| Cylinder Finish | Thermoplastic to BS 4800:1981 |
| Colour | Signal Red (RAL 3020) |
| Fire Class | B, C Types & Electrical |
| Discharge Hose | 9.14 m |
| Temperature Range | -20°C to +60°C |
| Test Pressure | 31.5 Bar |
| Operating Pressure at 20°C | 20.9 Bar |
| Discharge Time Discharge | 50 to 60 sec |
| Range Cylinder Material | 7.5 to 9.0 m |
| Operating Valve | Carbon Steel to BS EN 10025 FE430A |
| | Brass Gas Bottle Valve & Polycarbonate Control Valve |
| | on Hose |
| Overall Height | 1100 mm |
| Overall Width | 600 mm |
| Overall Depth | 650 mm |
| Full Weight | 129.5 Kg |
| Empty Weight | 66.5 Kg |
| Wheel Diameter | 330 mm |



INTERNATIONAL SALES

Angus Fire Ltd
Angus House, Haddenham Business Park,
Pegasus Way, Haddenham, Aylesbury, HP17 8LB, UK
Tel: +44 (0)1844 293600 • Fax: +44 (0)1844 293664

UK SALES

Angus Fire Ltd
Station Road, Bentham, Lancaster, LA2 7NA, UK
Tel: +44 (0)1524 264000 • Fax: +44 (0)1524 264180

Angus Fire operates a continuous programme of product development. The right is therefore reserved to modify any specification without prior notice and Angus Fire should be contacted to ensure that the current issues of all technical data sheets are used.