

Rimseal Foam Equipment

For the protection of open top floating roof (OTFR) storage tanks

- Suitable for use with Angus low expansion foam concentrates
- Cost-effective
- Low-profile unit
- Low maintenance



Angus Rimseal Foam Equipment is used for the protection of vertical open top floating roof (OTFR) storage tanks and comprises two elements - the Rimseal Foam Generator (RFG) which produces expanded foam when supplied with foam solution and the Rimseal Foam Pourer (RFP) which delivers the foam gently into the rimseal area.

Available in two basic body sizes (the RFG 50 and RFG 80), with capacities ranging from 57 litres/minute at 3 bar to 658 litres/minute at 10 bar, each unit is factory-calibrated to deliver a specified flow at a given pressure within the limits shown below.

The RFP is a low-profile unit which protects the foam from high winds and guides it gently on to the tank wall. The front shield allows fully developed foam to emerge in a cohesive blanket that flows intact onto the inside wall of the tank. The stainless steel mesh at the foam exit helps to prevent blockage from insects and nesting birds.

For new tanks, the new models can make the most cost-effective use of foam concentrate and water resources by producing the designed foam solution application rate. For retrofit on to existing tanks during refurbishment, the new Angus RFG models can replace existing units without the need for expensive modification. Accurate factory-calibration ensures full compatibility with existing foam concentrate induction systems.

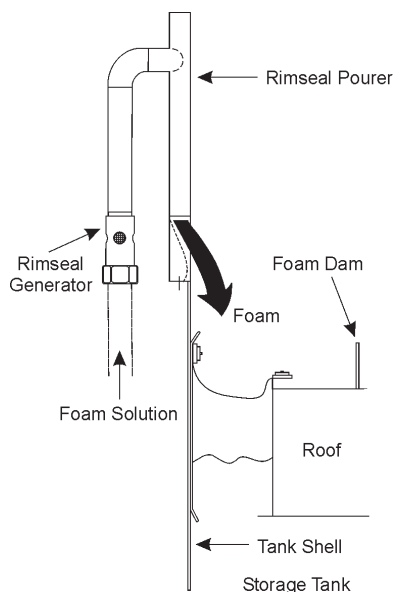
To further simplify installation, a fixing kit is now supplied as an optional extra which facilitates installation to the tank whilst still in use and without the need for hot work.

Angus Rimseal Foam Equipment is suitable for use with Angus low expansion foam concentrates. For hydrocarbon fuels Angus FP70, FP70 Plus or Petroseal should be used; but for polar solvent risks Angus Alcoseal should be used.

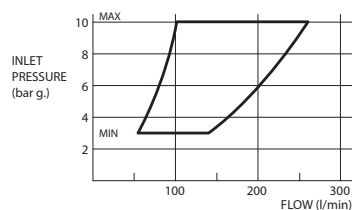
Approvals

Underwriters Laboratories Inc. :

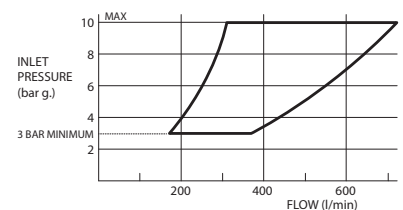
- RFG 50
- RFG 80
- RFP 50
- RFP 80



MODEL NO. RFG 50

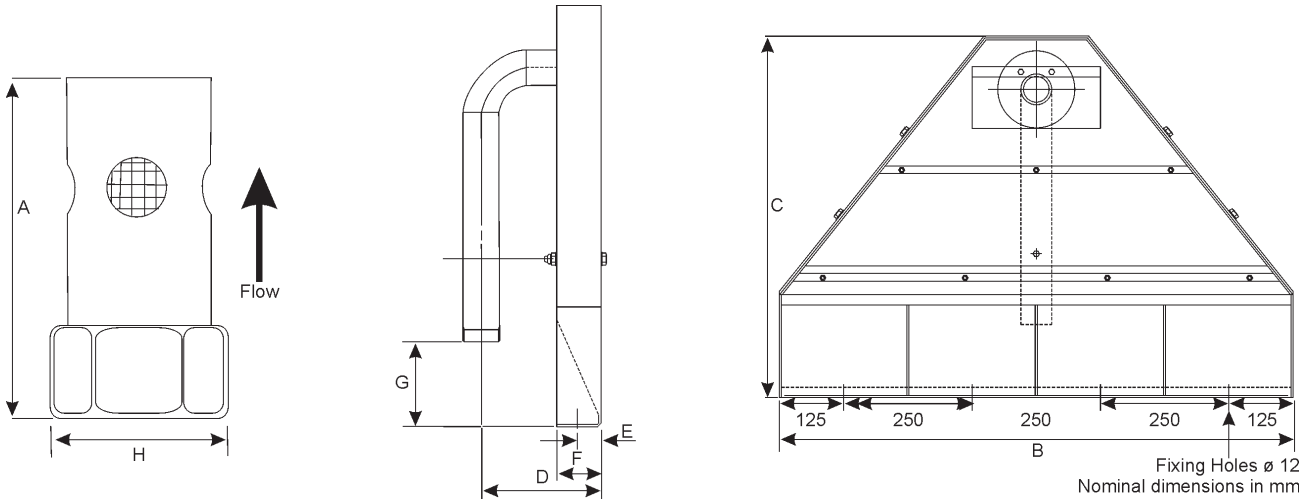


MODEL NO. RFG 80



Rimseal Foam Equipment

For the protection of open top floating roof (OTFR) storage tanks



Specification Data		RFG 50	RFG 80	RFP 50	RFP 80
Dimension	A (mm)	159	236	-	-
	B(mm)	-	-	1000	1000
	C(mm)	-	-	700	700
	D(mm)	-	-	200	240
	E(mm)	-	-	40	40
	F(mm)	-	-	75	75
	G(mm)	-	-	142	102
	H (mm)	75 AF Hex.	105 AF Hex.	-	-
Inlet Connection		2" NPSC (f)	3" NPSC (f)	2" NPT (m)	3" NPT (m)
Outlet Connection		2" NPSC (f)	3" NPSC (f)	-	-
Materials Body		Cast Iron to BS 2789 Grade 420/12		-	-
	Internal Fitting	Stainless Steel to BS 970 316S31		-	-
	Deflector	-	-	Carbon Steel	
	Internal Mesh	-	-	Stainless Steel	
	Pipe	-	-	Steel tube to BS 1387	
	Optional Clamps	-	-	Clamp: Malleable iron, natural finish	
				Bolt: Steel, zinc plated	
Finish		Yellow Thermoplastic Powder Coated			
Approx Weight	(Kg)	3.5	6.5	37	41
To Install	Fixing Holes	-	-	4 x 12mm dia. holes	
	Optional Clamps	-	-	Min. 2 clamps per pourer	

Operating Data	
Operating Pressure	3 bar to 10 bar
Typical Foam Expansion	4:1 to 8:1
Typical 25% Drainage Time	1.5 to 3 minutes using Angus FP70 Foam Concentrate

INTERNATIONAL SALES
Angus Fire Ltd
 Angus House, Haddenham Business Park,
 Pegasus Way, Haddenham, Aylesbury, HP17 8LB, UK
 Tel: +44 (0)1844 293600 • Fax: +44 (0)1844 293664

UK SALES
Angus Fire Ltd
 Station Road, Benthams, Lancaster, LA2 7NA, UK
 Tel: +44 (0)1524 264000 • Fax: +44 (0)1524 264180

Angus Fire operates a continuous programme of product development. The right is therefore reserved to modify any specification without prior notice and Angus Fire should be contacted to ensure that the current issues of all technical data sheets are used.