



# ANGUS FIRE

## 6 Litre Triclass Foam Spray Stored Pressure

Extinguisher

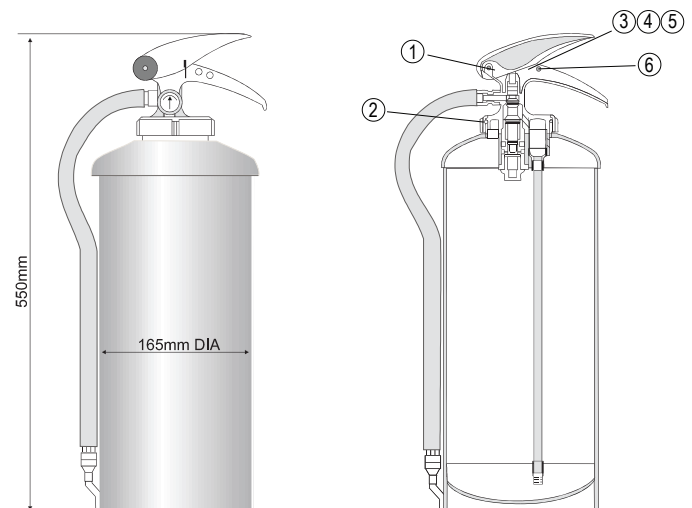


### Technical Specification

Extinguisher Code	T6S
Extinguishant	Triclass Foam Spray
Propellant Type	Stored Pressure
Capacity	6 Ltr
Paint Primer/Finish	Polyester Powder Paint
Paint Colour	Signal Red (RAL 3000)
Colour Coding to BS7863	Pale Cream (RAL 1014)
Fire Class	A, B Types + Electrical
Fire Rating	13A/144B
Operating Temperature	+5 to +60°C
Test Pressure	26 Bar
Operating Pressure at 20°C	12 Bar
Discharge Duration	30 sec
Discharge Range	4 m
Cylinder	Mild Steel 1.6mm to EN 10111-DD12
Operating Valve	Diecast Zinc Alloy to EN 1774-Zn A14 (ZL3)
Cylinder Lining	Polymer
Height	570 mm
Diameter	165 mm
Full Weight	11.4 kg
Empty Weight (excluding cartridge)	5.4 kg
Nominal Carton Size	184 x 184 x 617 mm
Approval	BS EN 3/BAFE

### Spare Parts

Item	Description	Part No
1	Headcap assembly c/w hose and pick-up tube	MBRH 1070
2	Headcap 'O' ring seal	MBRH 0230
3	Safety pin	MBRH 0180
4	Safety pin cap	MBRH 0165
5	Break Tie Indicator	XE 18798
6	Service indicator	MBRH 0185
-	Wall bracket (not shown)	MBRH 0195
-	Transport bracket and strap (not shown)	MBRH 0313
-	Tridol foam charge	MXF 001



### INTERNATIONAL SALES

Angus Fire Ltd  
Angus House, Haddenham Business Park,  
Pegasus Way, Haddenham, Aylesbury, HP17 8LB, UK  
Tel: +44 (0)1844 293600 • Fax: +44 (0)1844 293664

### UK SALES

Angus Fire Ltd  
Station Road, Bentham, Lancaster, LA2 7NA, UK  
Tel: +44 (0)1524 264000 • Fax: +44 (0)1524 264180

Angus Fire operates a continuous programme of product development. The right is therefore reserved to modify any specification without prior notice and Angus Fire should be contacted to ensure that the current issues of all technical data sheets are used.